

5x4 MaxAir™ HP Crude Oil Emergency Valve

Civacon's MaxAir™ II 5x4 Air Operated Emergency Valve is suitable for both petroleum and crude applications. The MaxAir™ II series valve is uniquely engineered with no moving parts in the flow path for a superior flow rate.

Civacon's 5x4 MaxAir™ II Crude Oil Emergency Valve is designed with an independent external exhaust, which isolates the valve exhaust from the rest of the system. This valve is compatible with diesel, biodiesel, gasoline, ethanol and methanol. The Viton GFLT seal provides ultimate product compatibility.

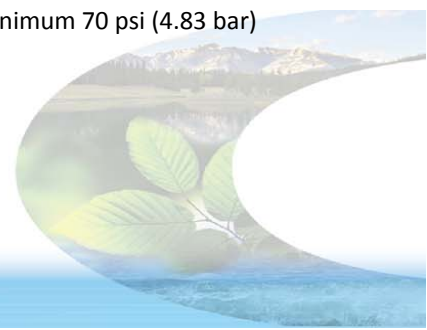
This valve features an integrated air inlet that allows the unit to close if it becomes sheared in the result of a collision. It incorporates a frangible shear groove per 49CFR178.345-8 tested per TTMA RP 84. A factory installed fusible plug that will melt at a temperature of 212° F (100° C) allowing the valve to deplete air pressure. Also included is a mechanical jack screw for manual operation in the event of air pressure loss.

Operating Pressure Requirements: Minimum of 70 psi (4.83 bar) operating line pressure to open the valve against 35 psi (2.41 bar) tank pressure for crude applications.



Features & Benefits

- Designed for crude and petroleum applications.
- No moving parts in flow path for superior flow rates and faster drops.
- Integrated external exhaust.
- Viton GFLT Seal for superior compatibility.
- Mechanical jack screw allows product to be off-loaded in the event of air pressure loss.
- Compatible with 4" TTMA sumps.
- Compatible with diesel, biodiesel, gasoline, ethanol and methanol.
- Hard coat anodized aluminum and stainless steel components.
- Available in a variety of configurations.
- Operating Pressure **Crude**: Minimum 70 psi (4.83 bar) line pressure.



5x4 MaxAir™ HP Crude Oil Emergency Valve

Specifications

Product Number:

VA5171, VA6171, VA7171, VA8171

Materials:

Hard coat anodized aluminum and
Stainless steel components

Dimensions:

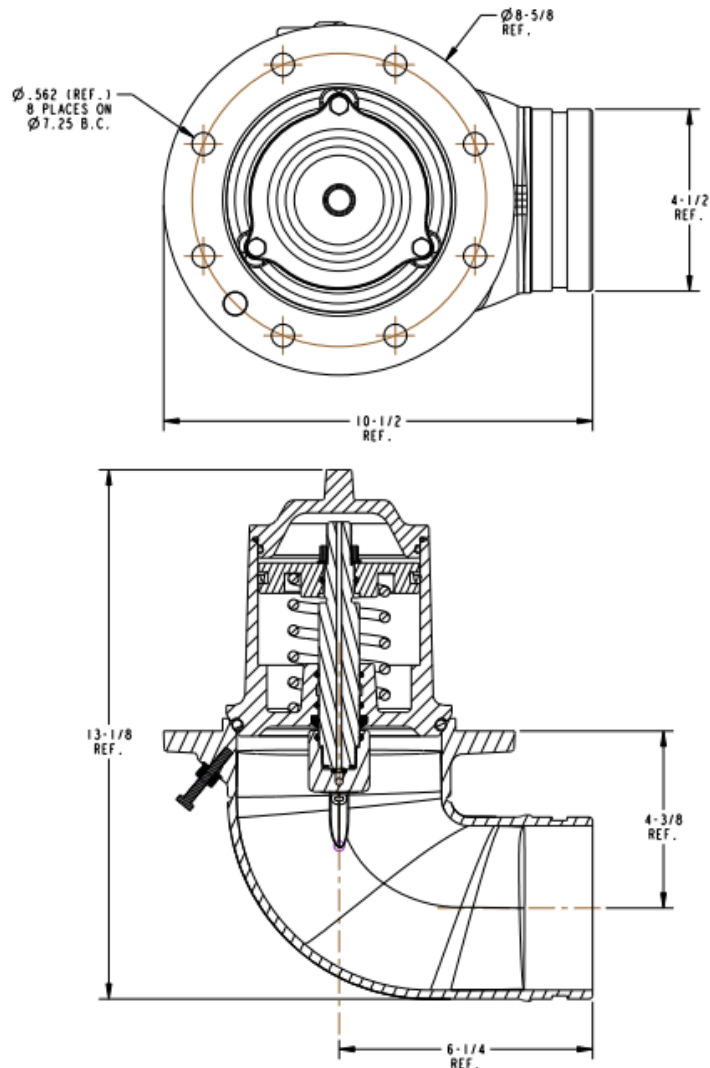
Height - 12.75"
Width - 10.5"

Weight:

11.5 lbs. (5.22 kg)

Temp. Rating:

-40° F to 220° F (-40° C to 104° C)



5x4 MaxAir™ HP Crude Oil Emergency Valve

TYPE	CODE	BODY	CODE	OPERATION	CODE	SEAL
VA	51	90° Elbow/Victaulic	7	Internal Air/External Exhaust	1	Viton
VA	61	90° Elbow/Flanged	7	Internal Air/External Exhaust	1	Viton
VA	71	Straight/Victaulic	7	Internal Air/External Exhaust	1	Viton
VA	81	Straight/Flanged	7	Internal Air/External Exhaust	1	Viton