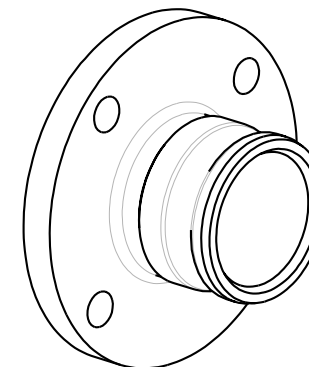
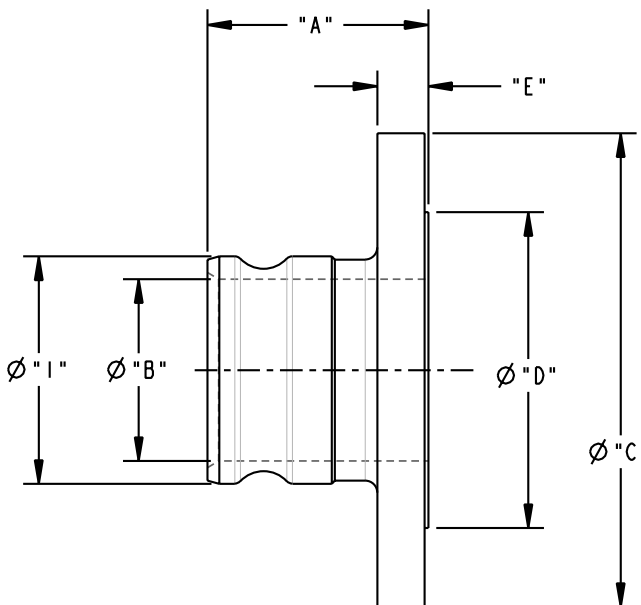
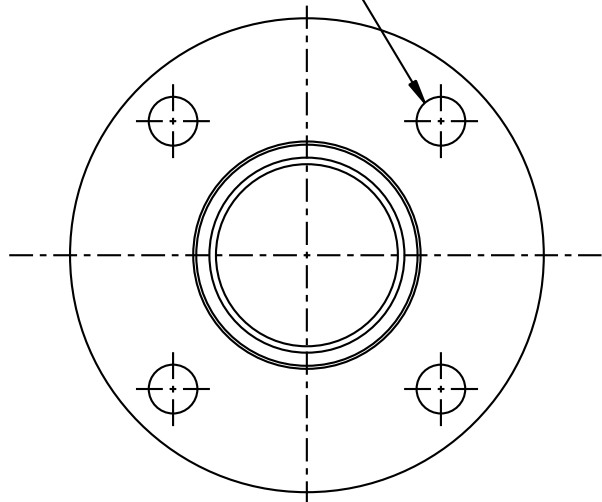


THIS DRAWING IS NOT TO BE SCALED. FOR ADDITIONAL INFORMATION. PLEASE CONTACT OUR ENGINEERING DEPT.

REVISIONS					
LTR	ECN #	DESCRIPTION	DRAWN	APPROVED	DATE
REL	-	-	JPR	-	03-14-03
A	41494	PRODUCT NO. 633LAS WAS 733LAS	SCK	-	-

"F" \emptyset HOLES THRU
EQUALLY SPACED ON
A \emptyset "G" BOLT CIRCLE
"H" HOLES LOCATED AS SHOWN



SEE NOTE #1

4" 633LAS	6.12	3.84	9.00	6.19	0.94	0.75	7.50	8	4.71
3" 633LAS	3.50	2.88	7.50	5.00	0.81	0.75	6.00	4	3.61
2-1/2" 633LAS	4.50	1.86	6.00	3.38	0.75	0.75	4.75	4	2.98
2" 633LAS	3.25	1.81	6.00	3.38	0.69	0.75	4.75	4	2.48
1-1/2" 633LAS	3.38	1.44	5.00	2.88	0.69	0.62	3.88	4	2.10
1" 633LAS	2.94	0.94	4.25	2.00	0.56	0.62	3.12	4	1.44
3/4" 633LAS	2.75	0.78	3.88	1.69	0.50	0.62	2.75	4	1.26
ADAPTOR SIZE	"A"	"B"	"C"	"D"	"E"	"F"	"G"	"H"	"I"

NOTE:
1. 2-1/2" 633LAS HAS A 2" FLANGE.
2. 3/4", 1-1/2" & 4" 633LAS'S ARE FABRICATED.

CONFIDENTIAL THIS DOCUMENT CONTAINS INFORMATION WHICH IS PROPRIETARY TO OPW, AND SHOULD BE PROTECTED ACCORDINGLY.

DESCRIPTION: 633LAS ADAPTOR W/ 150# RF FLG

UNLESS OTHERWISE SPECIFIED
TOLERANCES ON DIMENSIONS
3 DECIMALS +/- 0.005
2 DECIMALS +/- 0.015
1 DECIMAL +/- 0.030
ANGLES +/- 1/2 DEG
MACHINED SURFACES 125 RMS MAX

SIGNATURES
DRAWN: JPR
CHECKED:
MATERIAL: SST
MO-DA-YR
09-13-01
WEIGHT:

REV: A
SIZE: C

PART NUMBER:
633LAS
SCALE: NONE SHEET 1 OF 1

OPW Engineered Systems
A **DOVER** Resources Company
Lebanon, Ohio 45036 USA
3D GENERATED DRAWING