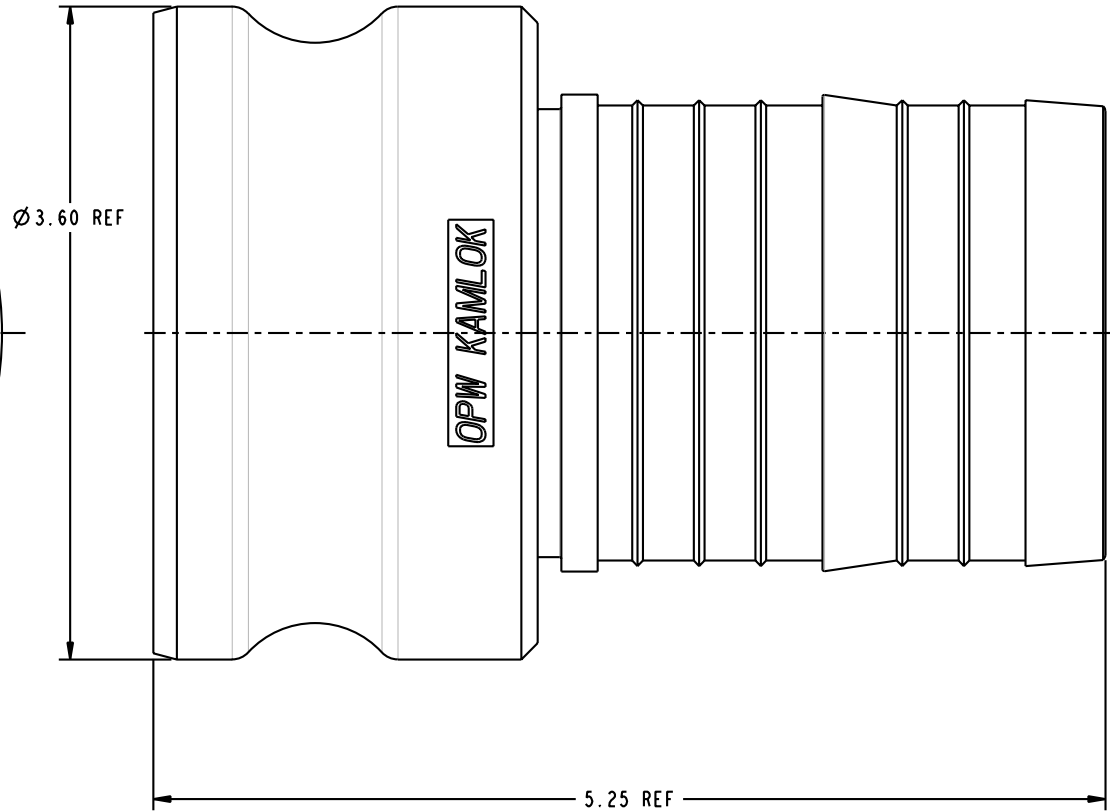
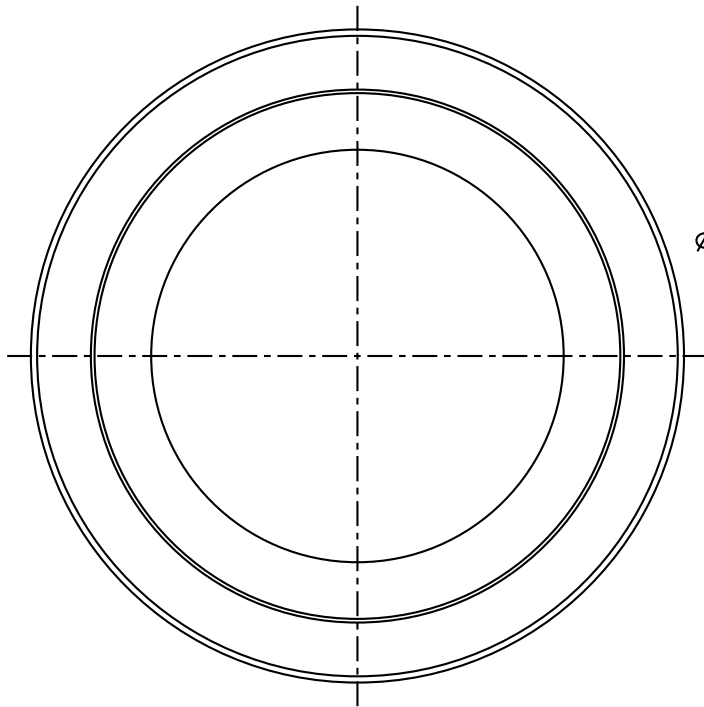


THIS DRAWING IS NOT TO BE SCALED. FOR ADDITIONAL INFORMATION, PLEASE CONTACT OUR ENGINEERING DEPT.

REVISIONS					
LTR	ECN #	DESCRIPTION	DRAWN	APPROVED	DATE
A	41587	REVISED HOSE SHANK	JPR	NAC	03-25-08



- NOTES:
 1. MATERIAL: ASTM A351 CF-8M 316 STAINLESS STEEL.
 2. REFERENCE D-51414-M.

CONFIDENTIAL THIS DOCUMENT CONTAINS INFORMATION WHICH IS PROPRIETARY TO OPW, AND SHOULD BE PROTECTED ACCORDINGLY.			DESCRIPTION: 633EH KAMLOK ADAPTOR, SST, 3" x 2-1/2"		
SIGNATURES		MO-DA-YR	REV:	PART NUMBER:	
DRAWN:	JPR	01-16-08	A	633EH-SS3025	
CHECKED:	NAC	01-23-08	SIZE:	D	
MATERIAL:	A351-CF8M	WEIGHT:	SCALE: 2.000 SHEET 1 OF 1		
UNLESS OTHERWISE SPECIFIED TOLERANCES ON DIMENSIONS 3 DECIMALS +/- 0.005 2 DECIMALS +/- 0.015 1 DECIMAL +/- 0.030 ANGLES +/- 1/2 DEG MACHINED SURFACES 125 RMS MAX			Engineered Systems <small>A BOSTED Resources Company</small> Lebanon, Ohio 45036 USA 3D GENERATED DRAWING		