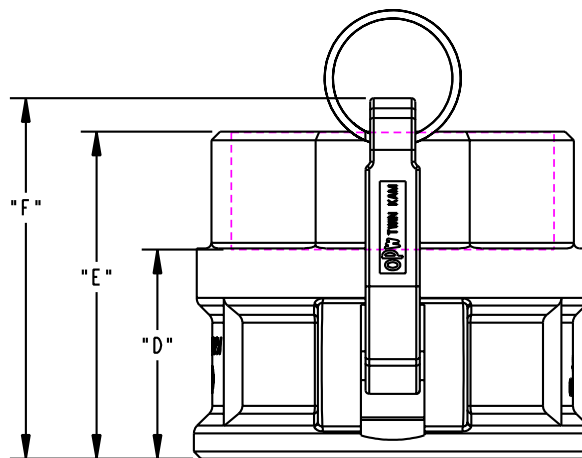
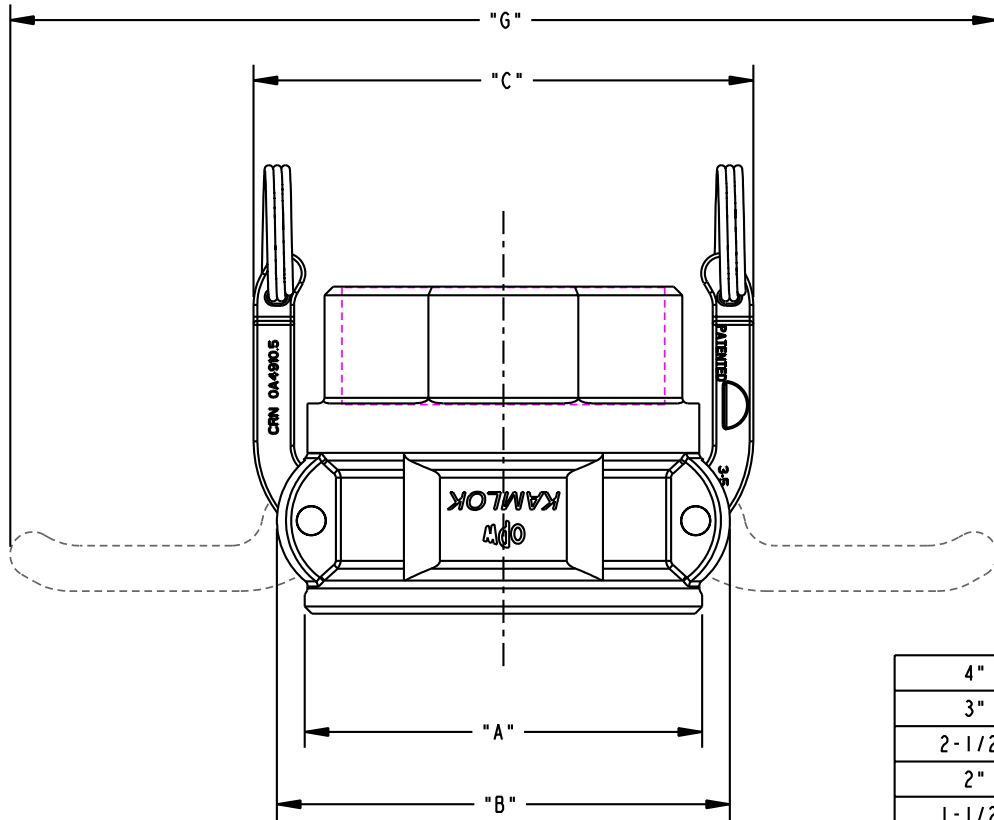


THIS DRAWING IS NOT TO BE SCALED. FOR ADDITIONAL INFORMATION, PLEASE CONTACT OUR ENGINEERING DEPT.

REVISIONS					
LTR	ECN #	DESCRIPTION	DRAWN	APPROVED	DATE
REL	-	-	JPR	NAC	04-30-02



COUPLER SIZE	THREAD SIZE	"A"	"B"	"C"	"D"	"E"	"F"	"G"
4" 633D	4.00 - 8 NPT	5.50	6.00	6.53	2.34	3.75	3.94	11.08
3" 633D	3.00 - 8 NPT	4.31	4.94	5.42	2.28	3.53	3.94	9.97
2-1/2" 633D	2.50 - 8 NPT	3.52	4.06	4.40	2.25	3.50	3.44	8.28
2" 633D	2.00 - 11.5 NPT	3.07	3.56	3.94	2.08	3.09	3.34	7.81
1-1/2" 633D	1.50 - 11.5 NPT	2.59	3.22	3.56	1.88	2.88	3.31	7.44
1-1/4" 633D	1.25 - 11.5 NPT	2.28	2.94	3.25	1.88	2.88	3.25	7.14
1" 633D	1.00 - 11.5 NPT	1.83	2.31	2.91	1.62	2.47	2.27	5.03
3/4" 633D	0.75-14 NPT	1.62	2.06	2.41	1.25	2.09	1.97	4.56
1/2" 633D	0.50-14 NPT	1.62	2.06	2.41	1.25	2.09	1.97	4.56

- NOTES:
 1. MATERIAL: BODY AND ARM:
 ASTM A351 CF-8M (316 SST)
 2. ALL NPT THREADS CONFORM TO AMERICAN SOCIETY OF MECHANICAL ENGINEERS, USA STANDARD B2.1.

CONFIDENTIAL THIS DOCUMENT CONTAINS INFORMATION WHICH IS PROPRIETARY TO OPW, AND SHOULD BE PROTECTED ACCORDINGLY.

UNLESS OTHERWISE SPECIFIED
 TOLERANCES ON DIMENSIONS
 3 DECIMALS +/- 0.005
 2 DECIMALS +/- 0.015
 1 DECIMAL +/- 0.030
 ANGLES +/- 1/2 DEG
 MACHINED SURFACES 125 RMS MAX

SIGNATURES: _____ MO-DA-YR: 04-30-02
 DRAWN: JPR
 CHECKED: NAC 05-05-02
 MATERIAL: 316 SST WEIGHT: _____

DESCRIPTION: **KAMLOK COUPLER DIMENSIONS**
 PART NUMBER: **633D**
 SCALE: NONE SHEET 1 OF 1

OPW Engineered Systems
 A DOVER Resources Company
 Lebanon, Ohio 45036 USA
 3D GENERATED DRAWING