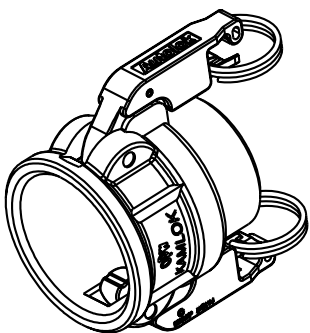
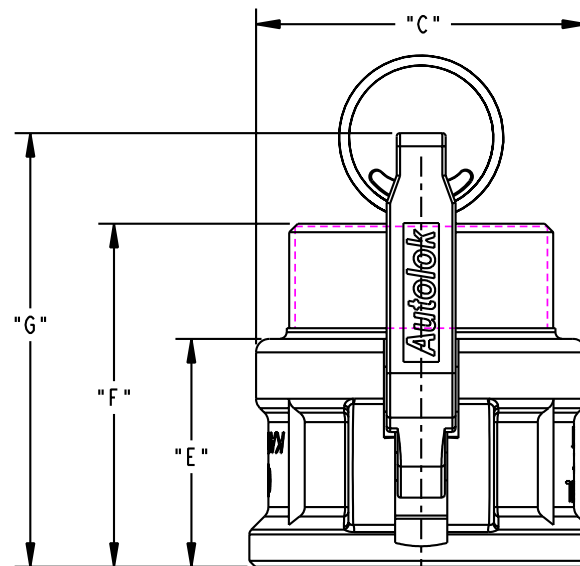
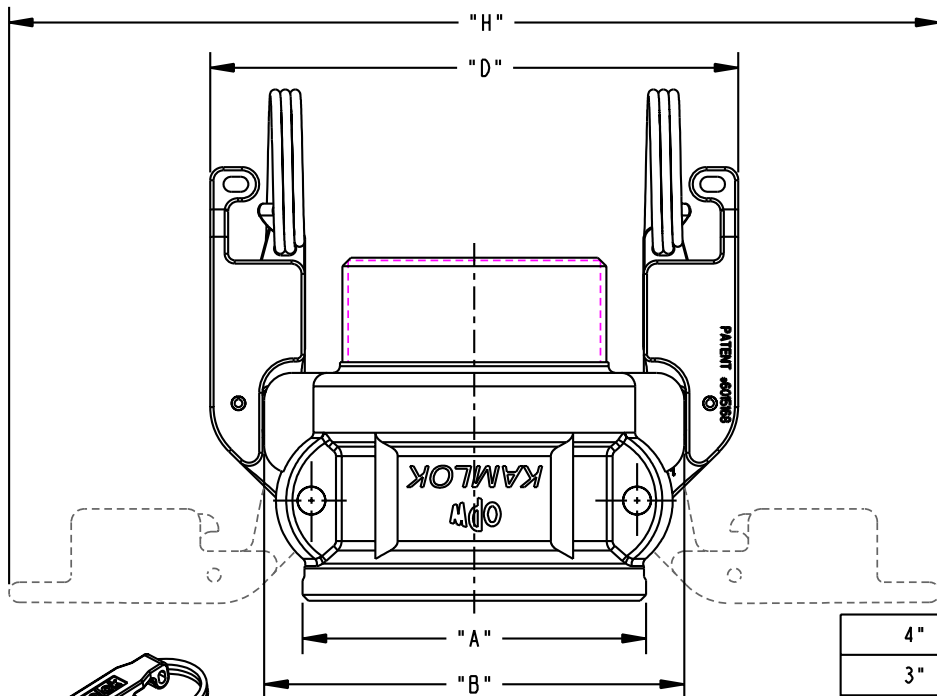


THIS DRAWING IS NOT TO BE SCALED. FOR ADDITIONAL INFORMATION, PLEASE CONTACT OUR ENGINEERING DEPT.

REVISIONS					
LTR	ECN #	DESCRIPTION	DRAWN	APPROVED	DATE
A	41367	UPDATED DIMS FOR REVISED ARMS	JPR	NAC	05-22-03



4" 733BL	4.00-8 NPT	5.53 (140)	6.25 (159)	5.53 (140)	7.16 (182)	2.31 (59)	3.81 (97)	4.22 (107)	11.69 (297)
3" 733BL	3.00-8 NPT	4.31 (109)	5.14 (131)	4.25 (108)	6.06 (154)	2.28 (58)	3.62 (92)	4.22 (107)	10.56 (268)
2-1/2" 733BL	2.50-8 NPT	3.50 (89)	4.25 (108)	3.59 (91)	5.22 (133)	2.19 (56)	3.41 (87)	3.98 (101)	9.41 (239)
2" 733BL	2.00-11.5 NPT	3.09 (78)	3.78 (96)	2.97 (75)	4.75 (121)	2.06 (52)	3.12 (79)	3.91 (99)	8.94 (227)
1-1/2" 733BL	1.50-11.5 NPT	2.59 (66)	3.41 (87)	2.59 (66)	4.38 (111)	1.81 (46)	2.81 (71)	3.78 (96)	8.56 (217)
1-1/4" 733BL	1.25-11.5 NPT	2.28 (58)	3.12 (79)	2.28 (58)	4.09 (104)	1.88 (48)	2.75 (70)	3.78 (96)	8.25 (210)
1" 733BL	1.00-11.5 NPT	1.86 (47)	2.50 (64)	1.86 (47)	3.41 (87)	1.62 (41)	2.56 (65)	2.56 (65)	5.59 (142)
3/4" 733BL	0.75-14 NPT	1.62 (41)	2.31 (59)	1.62 (41)	3.22 (82)	1.25 (32)	2.12 (54)	2.34 (59)	5.28 (134)
1/2" 733BL	0.50-14 NPT	1.62 (41)	2.31 (59)	1.62 (41)	3.22 (82)	1.25 (32)	1.94 (49)	2.34 (59)	5.28 (134)
COUPLER SIZE	THREAD SIZE	"A"	"B"	"C"	"D"	"E"	"F"	"G"	"H"

- NOTES:
 1. MATERIAL: BODY, ARM AND LATCH:
 ASTM A351 CF-8M (316 SST)
 2. ALL NPT THREADS CONFORM TO AMERICAN SOCIETY
 OF MECHANICAL ENGINEERS, USA STANDARD B2.1.

CONFIDENTIAL THIS DOCUMENT CONTAINS INFORMATION WHICH IS PROPRIETARY TO OPW, AND SHOULD BE PROTECTED ACCORDINGLY.				DESCRIPTION: AUTOLOK COUPLER DIMENSIONS	
UNLESS OTHERWISE SPECIFIED TOLERANCES ON DIMENSIONS 3 DECIMALS +/- 0.005 2 DECIMALS +/- 0.015 1 DECIMAL +/- 0.030 ANGLES +/- 1/2 DEG MACHINED SURFACES 125 RMS MAX		SIGNATURES	MO-DA-YR	REV:	A
		DRAWN: JPR	08-28-01		
		CHECKED: NAC	08-29-01	SIZE:	C
		MATERIAL: 316 SST	WEIGHT:		
PART NUMBER: 733BL			SCALE: NONE SHEET 1 OF 1		
Engineered Systems A DOVER Resources Company Lebanon, Ohio 45036 USA			3D GENERATED DRAWING		