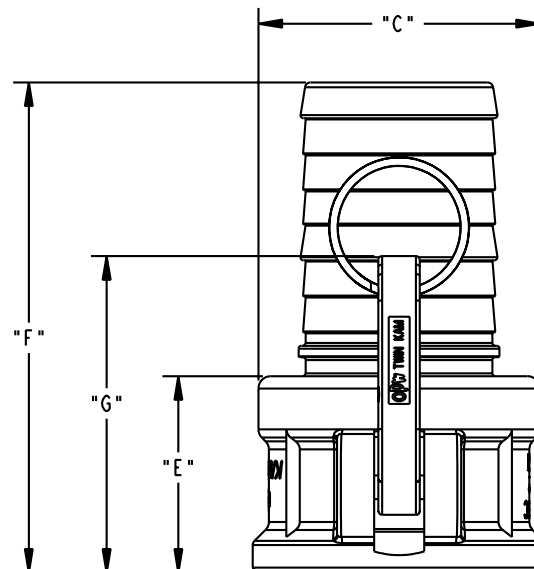
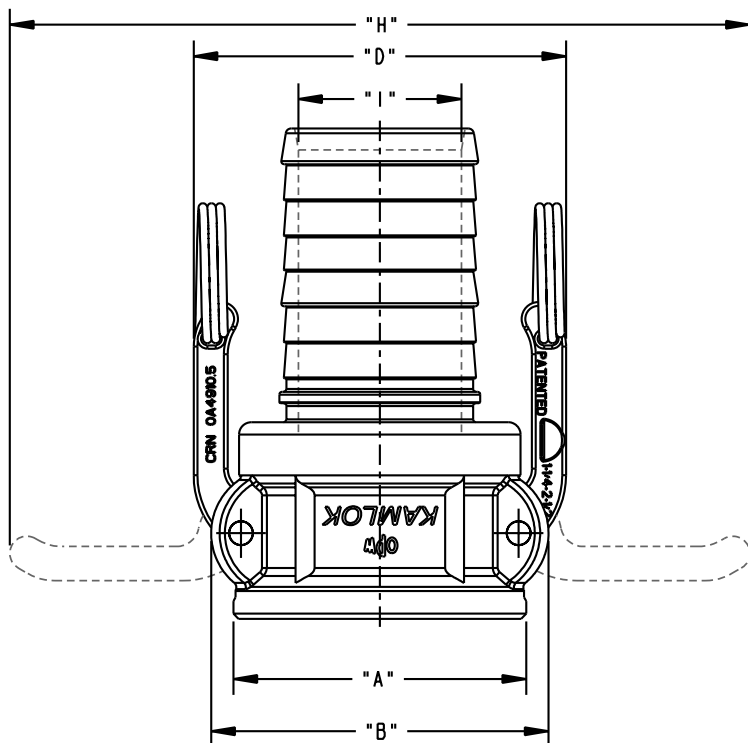


THIS DRAWING IS NOT TO BE SCALED. FOR ADDITIONAL INFORMATION, PLEASE CONTACT OUR ENGINEERING DEPT.

| REVISIONS | | | | | |
|-----------|-------|-------------|-------|----------|----------|
| LTR | ECN # | DESCRIPTION | DRAWN | APPROVED | DATE |
| REL | - | - | JPR | NAC | 04-30-02 |



| | | | | | | | | | |
|--------------|------|------|------|------|------|------|------|-------|------|
| 4" 633C | 5.53 | 6.03 | 5.53 | 6.53 | 2.31 | 6.56 | 3.88 | 11.08 | 3.53 |
| 3" 633C | 4.31 | 4.91 | 4.25 | 5.42 | 2.28 | 6.31 | 3.94 | 9.97 | 2.69 |
| 2-1/2" 633C | 3.50 | 4.09 | 3.59 | 4.41 | 2.19 | 5.44 | 3.44 | 8.28 | 2.19 |
| 2" 633C | 3.09 | 3.56 | 2.97 | 3.94 | 2.06 | 5.19 | 3.34 | 7.81 | 1.72 |
| 1-1/2" 633C | 2.59 | 3.19 | 2.59 | 3.56 | 1.84 | 4.22 | 3.25 | 7.44 | 1.25 |
| 1-1/4" 633C | 2.28 | 2.91 | 2.28 | 3.25 | 1.88 | 4.12 | 3.25 | 7.14 | 1.00 |
| 1" 633C | 1.86 | 2.28 | 1.86 | 2.91 | 1.62 | 3.88 | 2.27 | 5.03 | 0.78 |
| 3/4" 633C | 1.62 | 2.03 | 1.62 | 2.41 | 1.25 | 3.25 | 1.97 | 4.56 | 0.56 |
| COUPLER SIZE | "A" | "B" | "C" | "D" | "E" | "F" | "G" | "H" | "I" |

NOTES:
1. MATERIAL: BODY AND ARM:
ASTM A351 CF-8M (316 SST)

| | | | | | | | | | | | |
|---|--|--|--|--|--|----------|--|----------|--|--|--|
| CONFIDENTIAL THIS DOCUMENT CONTAINS INFORMATION WHICH IS PROPRIETARY TO OPW, AND SHOULD BE PROTECTED ACCORDINGLY. | | | | DESCRIPTION: KAMLOK HOSE SHANK COUPLER DIMENSIONS | | | | | | | |
| UNLESS OTHERWISE SPECIFIED TOLERANCES ON DIMENSIONS 3 DECIMALS +/- 0.005 2 DECIMALS +/- 0.015 1 DECIMAL +/- 0.030 ANGLES +/- 1/2 DEG MACHINED SURFACES 125 RMS MAX | | | | SIGNATURES | | MO-DA-YR | | REV. REL | | PART NUMBER: | |
| | | | | DRAWN: JPR | | 04-30-02 | | SIZE: C | | 633C | |
| | | | | CHECKED: NAC | | 05-05-02 | | | | SCALE: NONE SHEET 1 OF 1 | |
| | | | | MATERIAL: 316 SST | | WEIGHT: | | | | 3D GENERATED DRAWING | |
| | | | | | | | | | | Engineered Systems A DOVER Resources Company Lebanon, Ohio 45036 USA | |